

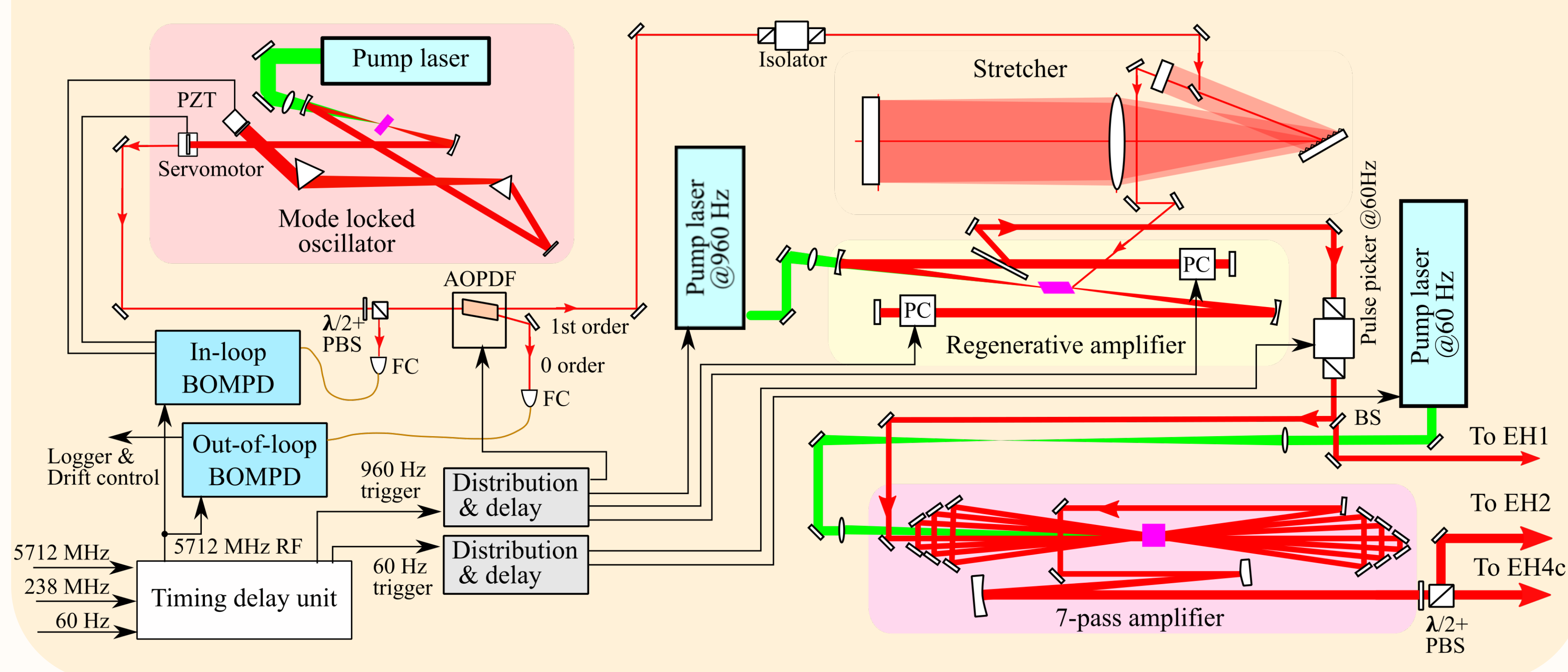
Tadashi Togashi, Shigeki Owada
(on behalf of SACLA)

Femtosecond synchronized optical laser system

T. Tadashi et al. Appl. Sci. 10, 7934 (2020);
doi:10.3390/app10217934

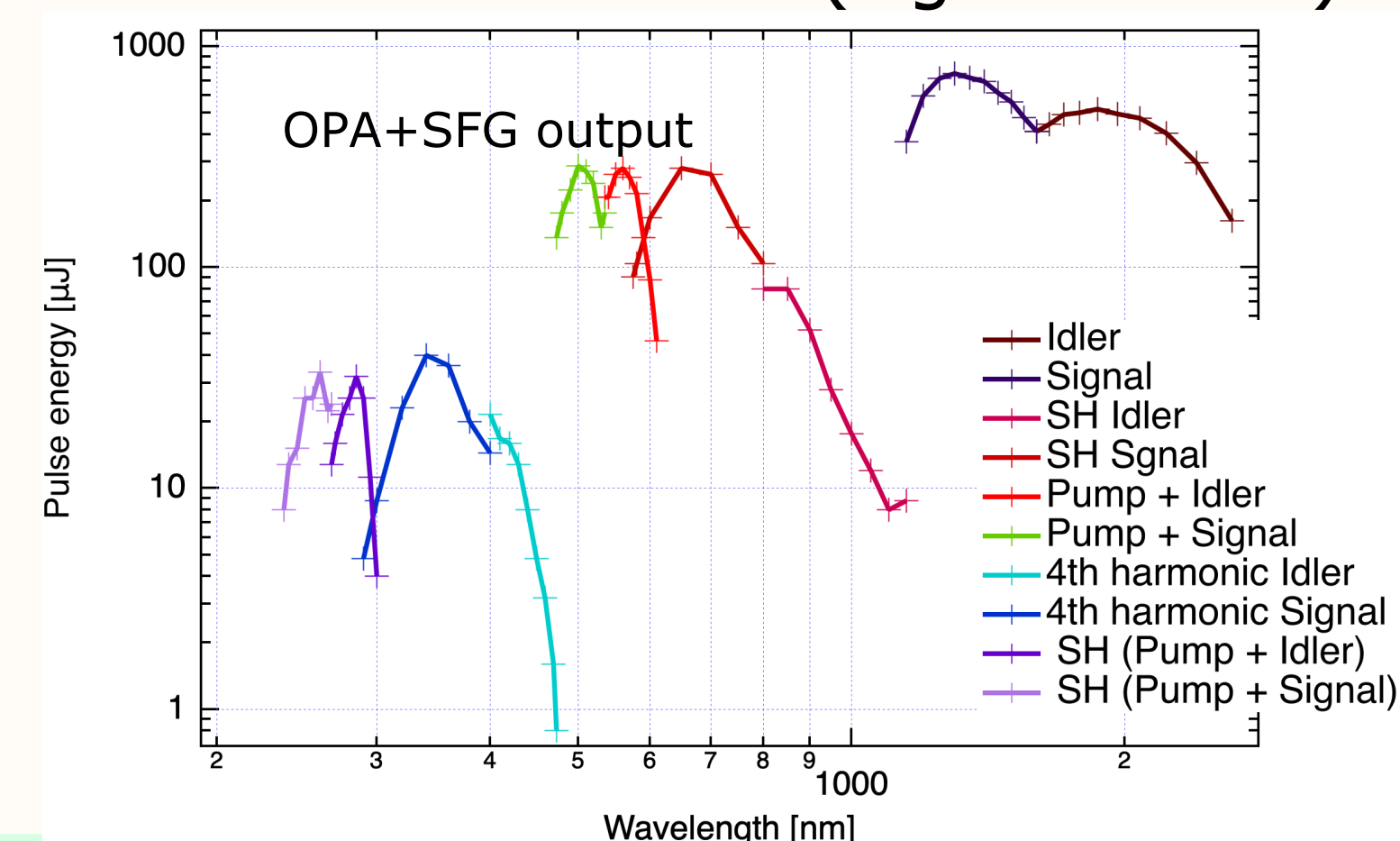
Outline at LH1 (BL3)

Chirped pulse amp. based on Ti:sapphire laser

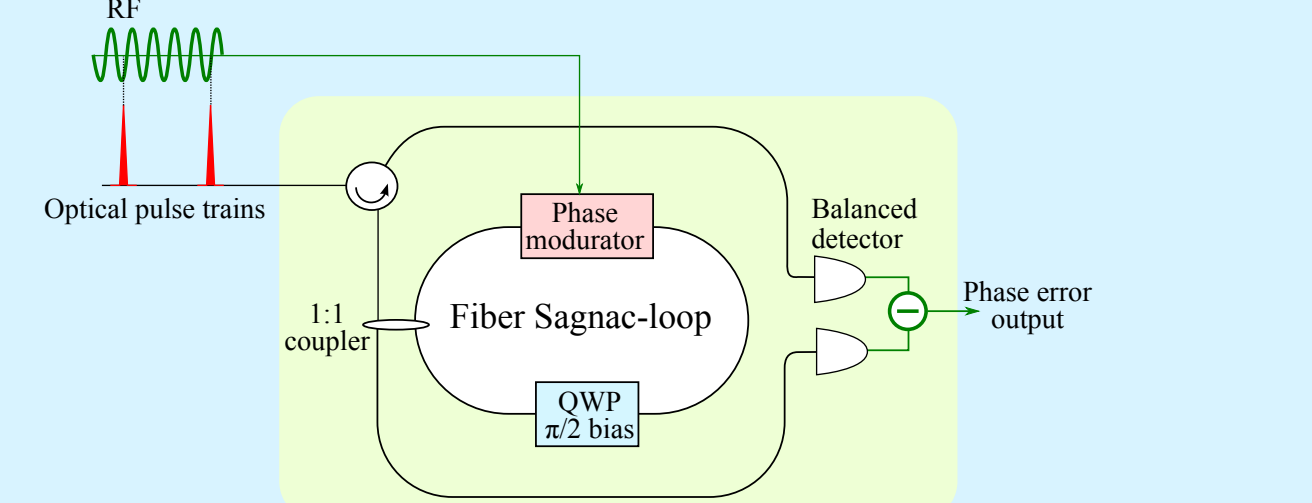


Specifications (BL1, BL3)

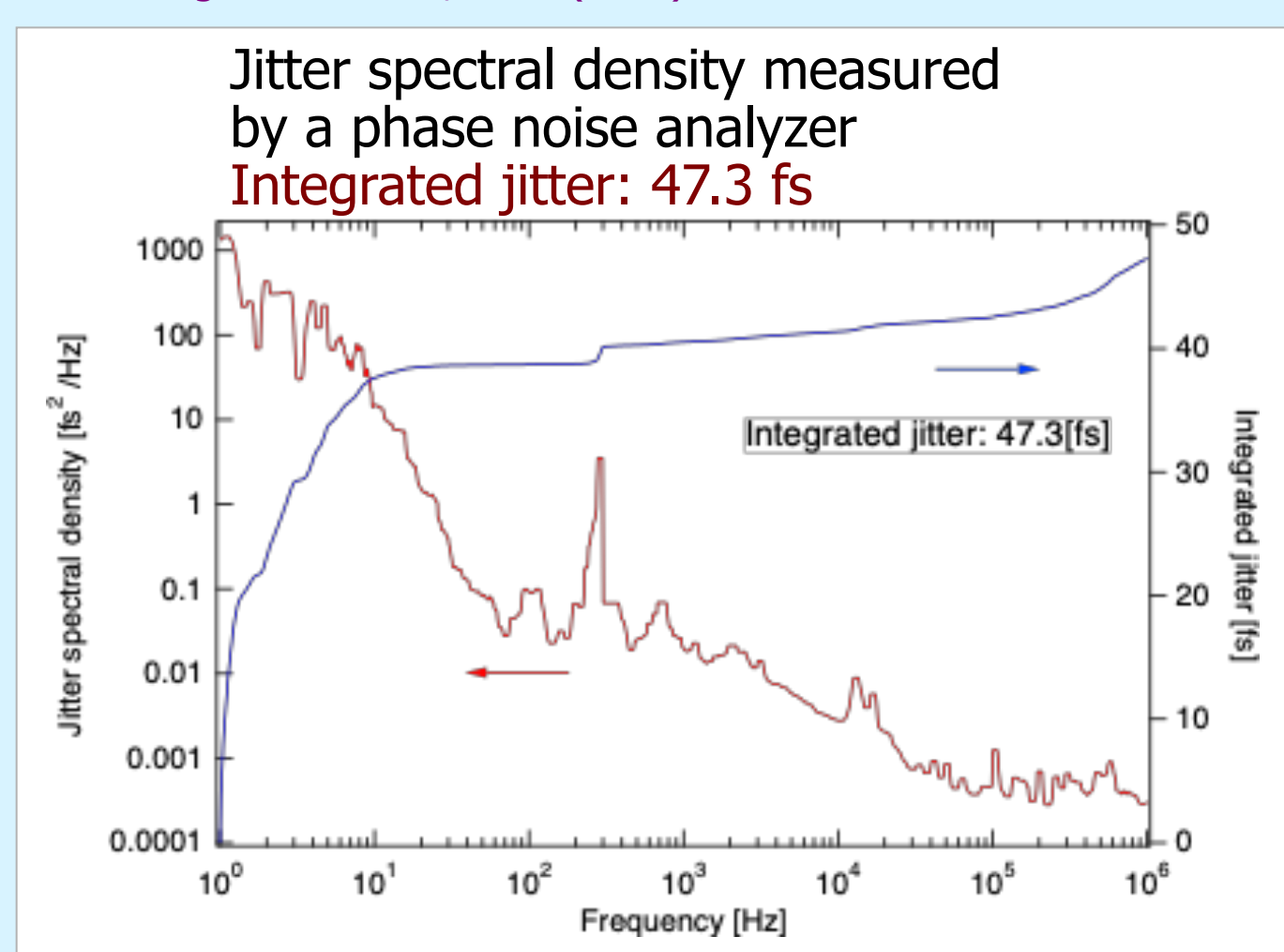
- Rep. rate: 60 Hz
- Fundamental (800 nm)**
 - Pulse energy: ~12 mJ
 - Pulse width: ~40 fs
- 2nd harmonics (400 nm)**
 - Pulse energy: ~0.5 mJ
 - Pulse width: ~30 fs
- 3rd harmonics (267 nm)**
 - Pulse energy: ~0.2 mJ
 - Pulse width: ~50 fs
- Optical parametric amp. (OPA) + Sum frequency mixing (SFG)**
 - Wavelength: 0.25 - 2.6 μm
 - Output: Max. 1.7 mJ (Signal + Idler)
- (Option)**
 - 4th harmonics (200 nm)
 - Pulse energy: ~5 μJ



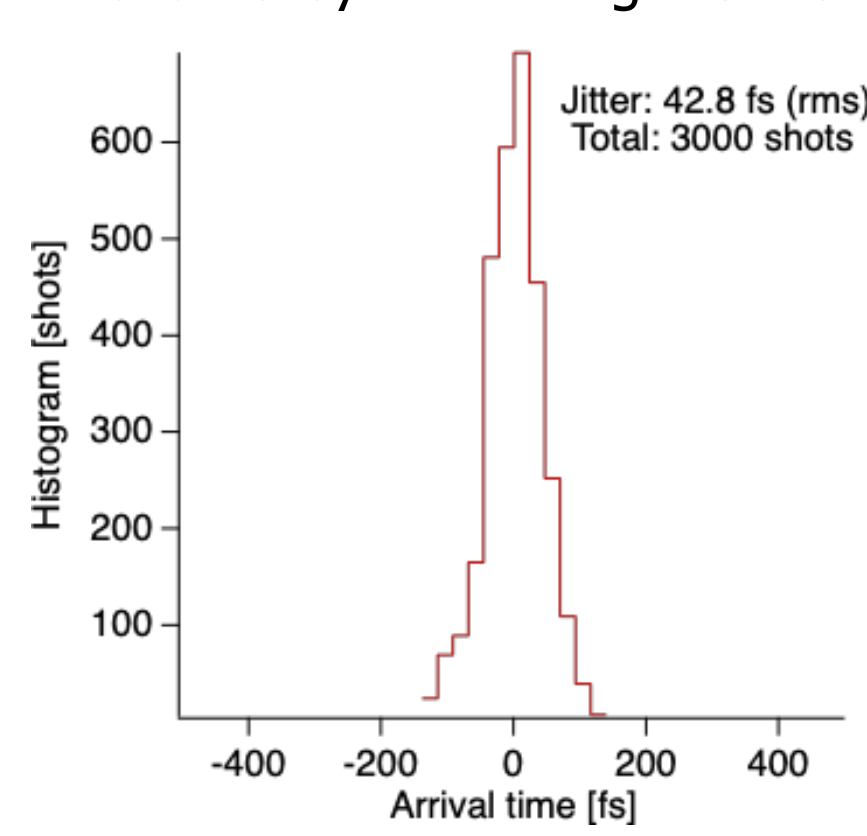
BOMPD (Balanced Optical Microwave Phase Detector)



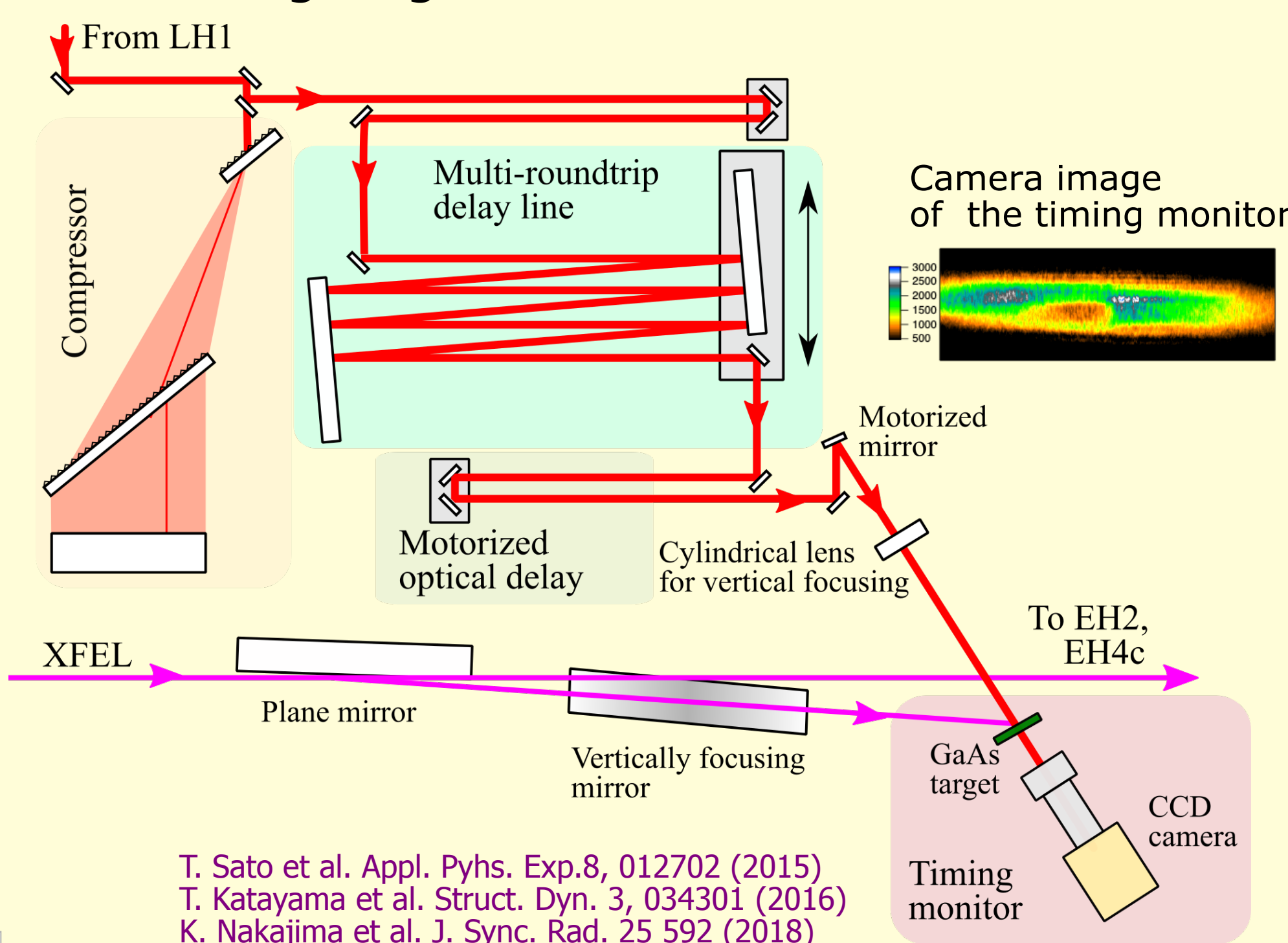
K. Jung et al. OL 37, 2958 (2012)



Timing jitter: 42.8 fs measured by the timing monitor



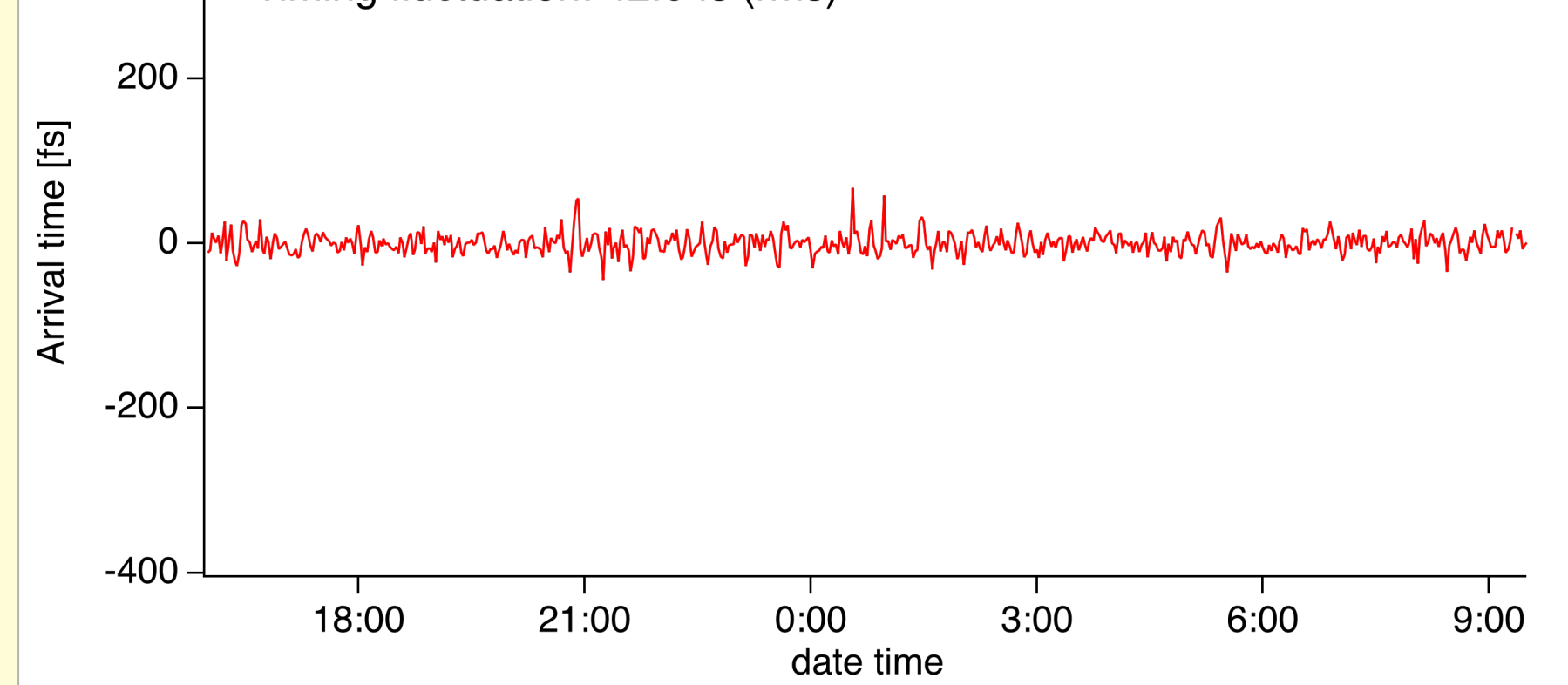
Optical setup at EH1 for timing diagnostics



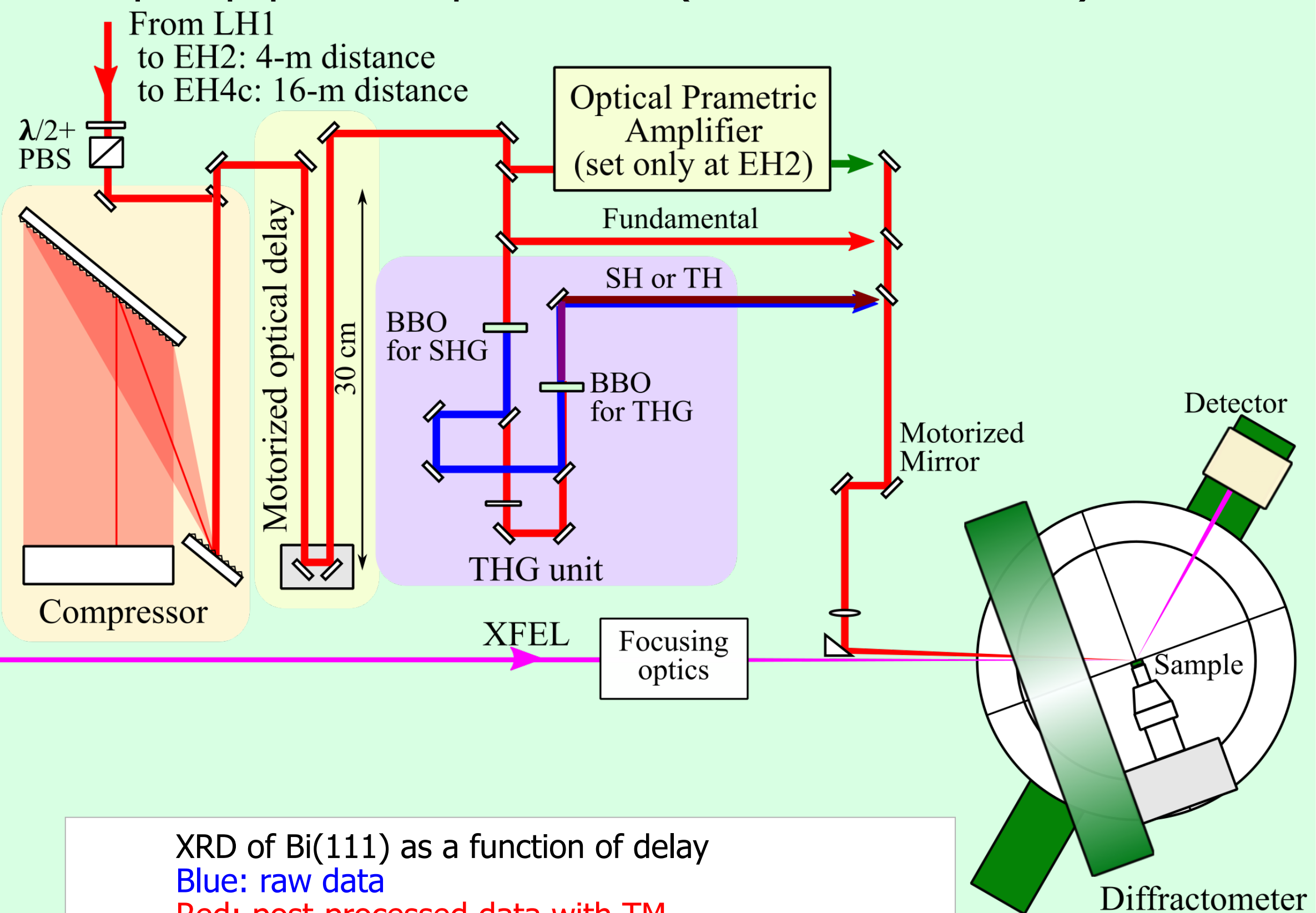
T. Sato et al. Appl. Phys. Exp. 8, 012702 (2015)
T. Katayama et al. Struct. Dyn. 3, 034301 (2016)
K. Nakajima et al. J. Sync. Rad. 25 592 (2018)

Timing drift feedback with timing monitor

Timing trend of averages in 17 h
Timing fluctuation: 42.6 fs (rms)

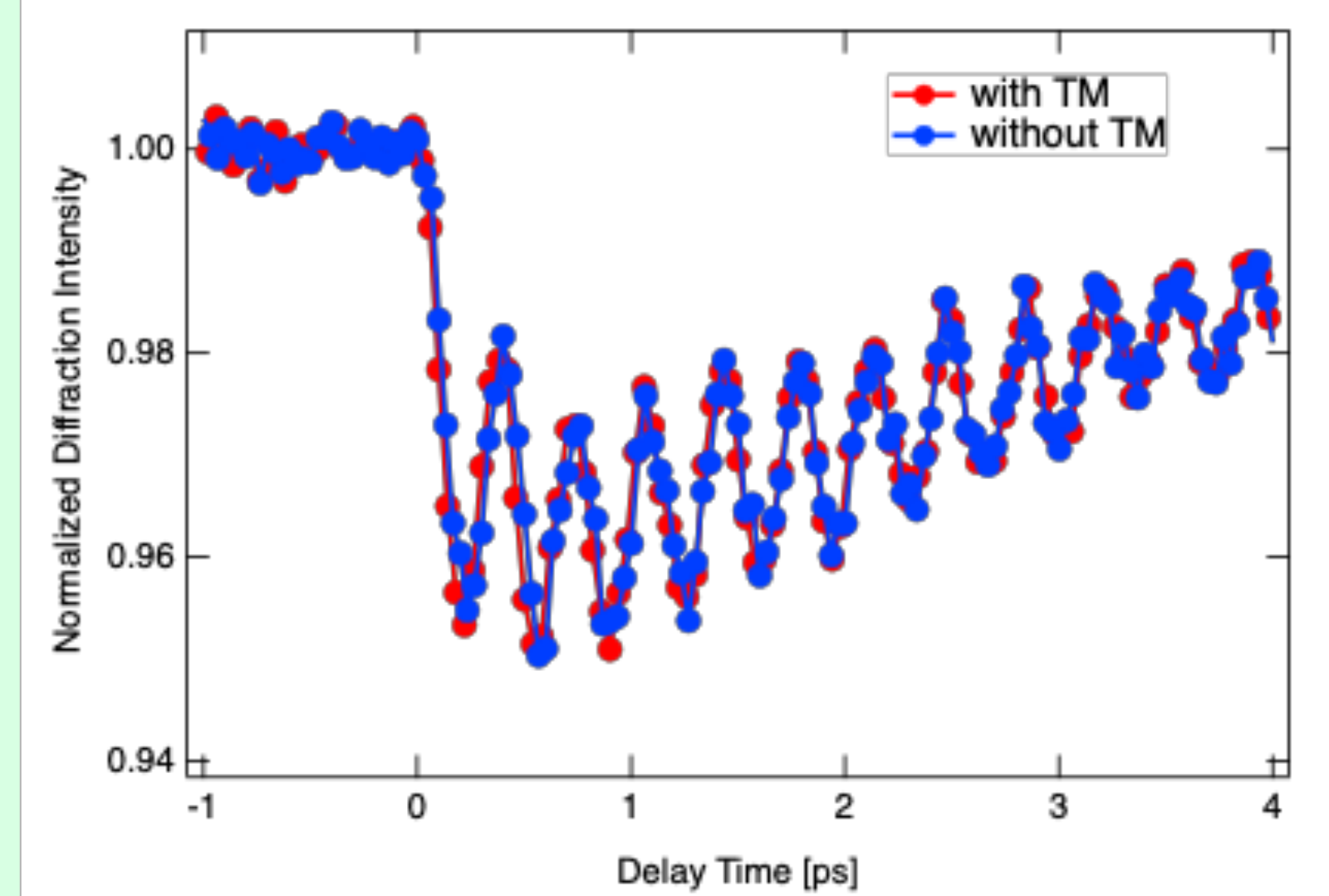


Typical setup at EH2 for pump-probe experiments (time-resolved XRD)

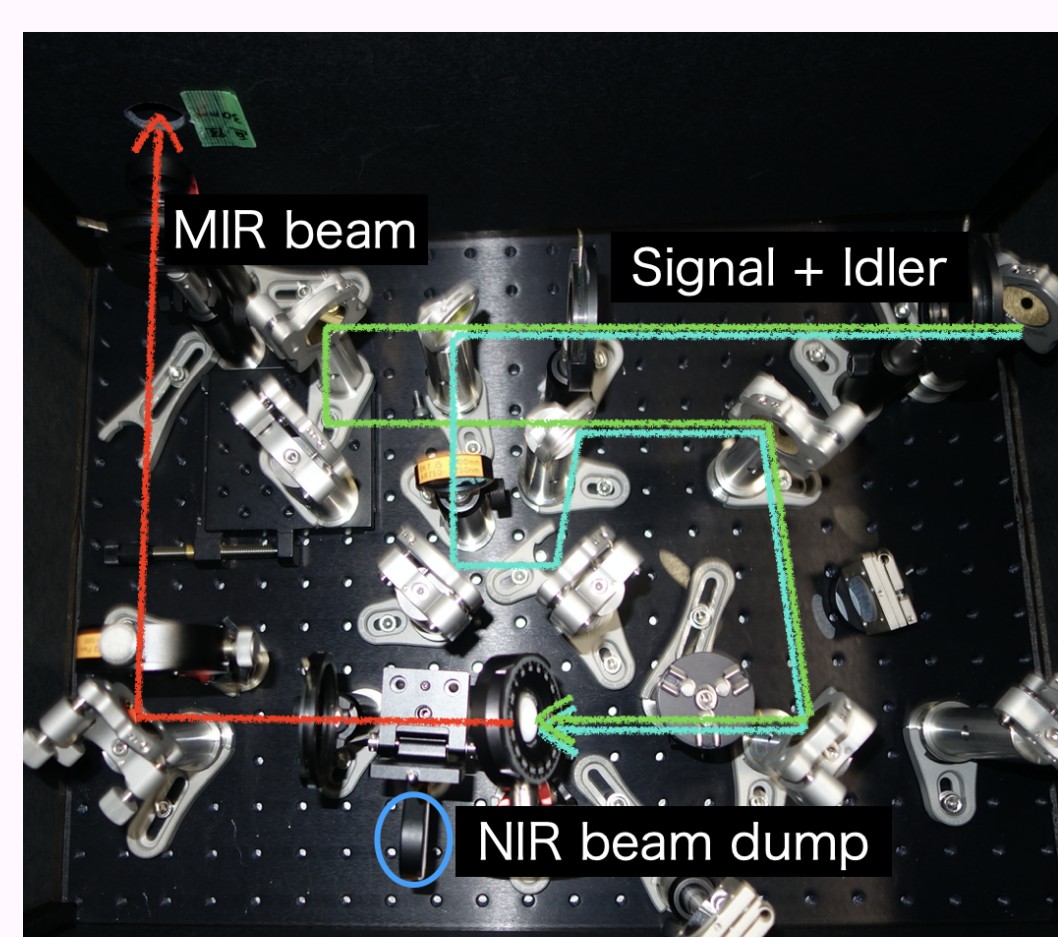


XRD of Bi(111) as a function of delay

Blue: raw data
Red: post-processed data with TM

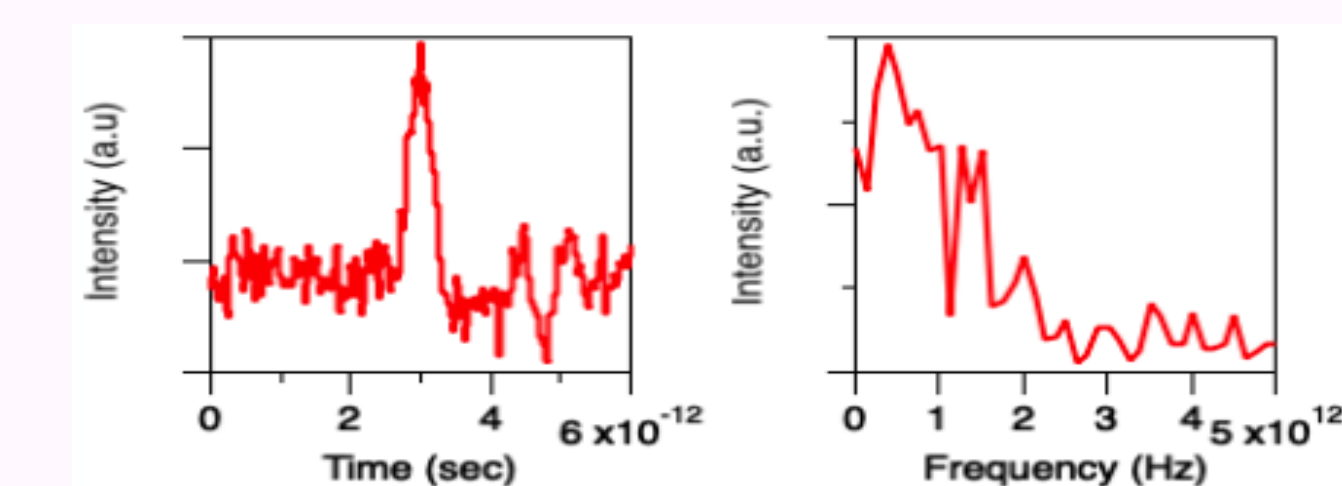
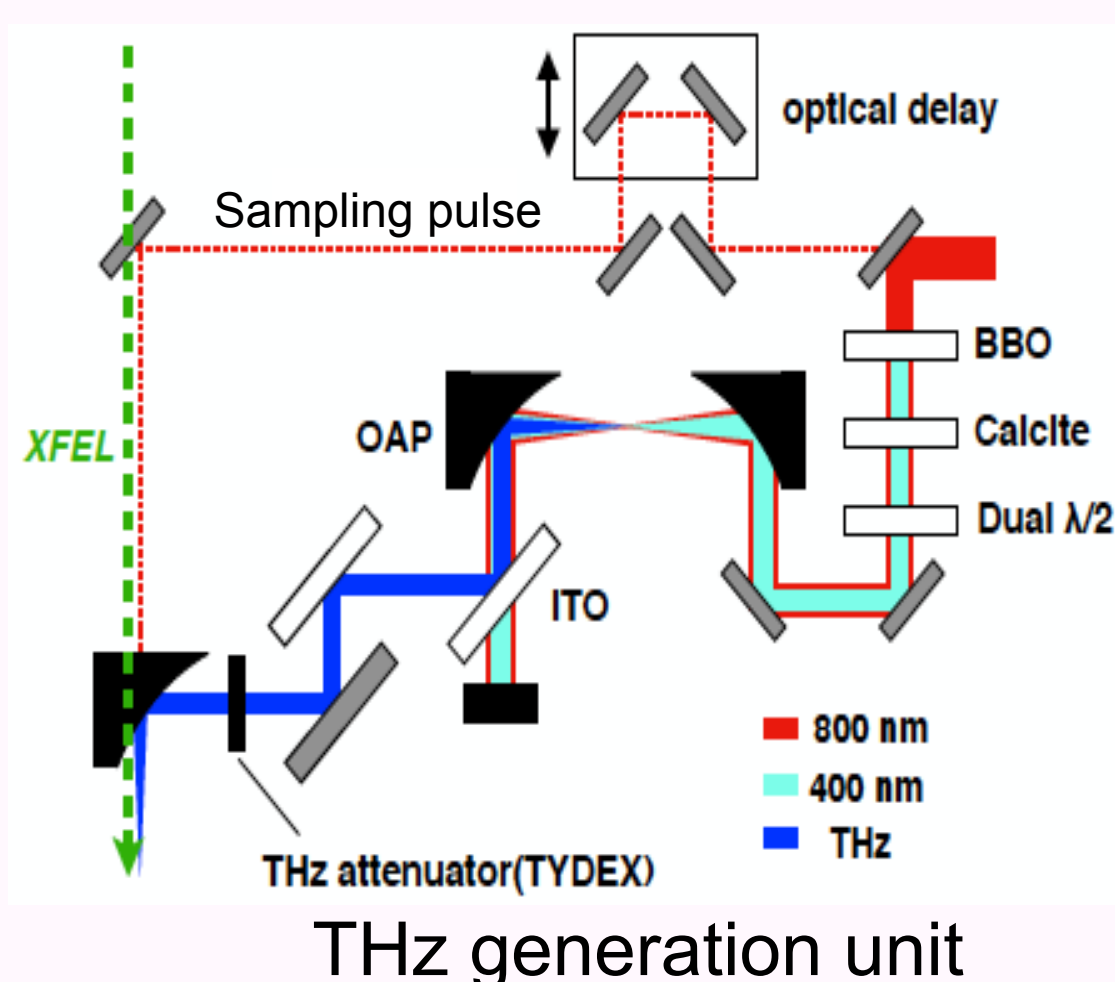


Mid-IR & THz generation (BL1, BL3)



MIR generation unit

Mid-IR
Wavelength:
2 ~ 11 μm (AgGaS₂, Eksma)
3 ~ 18 μm (GaSe, Eksma)
Pulse energy:
< 20 μJ @15 μm
Focus size:
~400 μm (FWHM)



THz
Method:
Air plasma induced by two-color pulses
Spot size: ~ φ1 mm
Field intensity: ~ 1 MV/cm (preliminary)

Nanosecond lasers (BL2)

Minilite (Amplitude)

Wavelength:
532 nm
Pulse energy:
< 10 mJ
Rep. rate:
< 15 Hz

NT232 (OPO, EKSPLA)

Wavelength:
210 - 2600 nm
Rep. rate:
< 30 Hz

Typical pulse energy of NT232

